


# MODEL: 25GAL

## SPECIFICATIONS

**Voltage** 110V  
**Amps** 8.3A  
**Hz** 60Hz  
**Phase** Single  
**Plug** NEMA 5-15   
**Receptacle** NEMA 5-15 or NEMA 5-20  
**Breaker** 15Amp  
**Wattage** 1000W  
**Operating Temperature** 185° F/ 85° C

## CAPACITY

**Volume** 25 Gallons/95 Liter  
**Hood Filters** 6 Std - 20" x 20" x 1½"  
**Sheet Pans** 13 Stacked Vertically (without basket and must be rotated)

## DIMENSIONS

Outside: L-29" x W-18" x H-33"  
L-74cm x W-46cm x H-84cm  
Inside: L-20" x W-11" x H-25"  
L-51cm x W-27cm x H-64cm

## ACCESSORIES

- Lifting Basket included
- Drain hose and adaptor for Monthly Refill
- Grab Hook

## PACKAGING

L-33" x W-21" x H-39"  
L-84cm x W-53cm x H-99cm  
Gross Weight: 190 lbs (86kg)  
Net Weight: 164 lbs (74kg)

## FEATURES

Fits under counter

## CarbonZyme

1 x 8.5lb Box per Month

# DECARBONATOR®

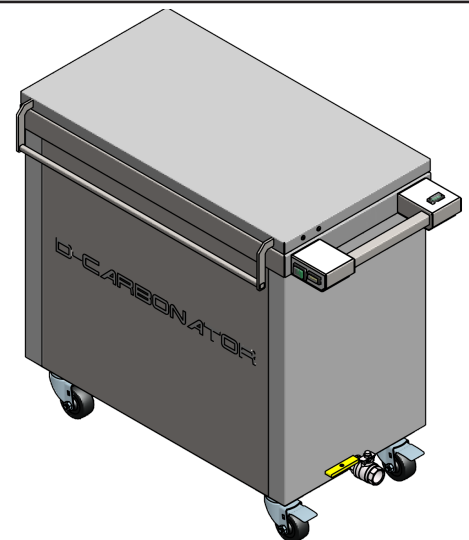
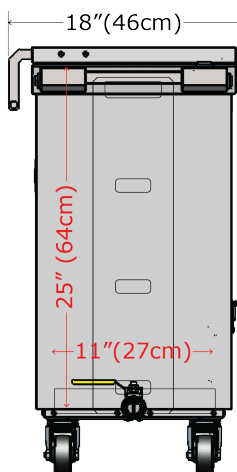
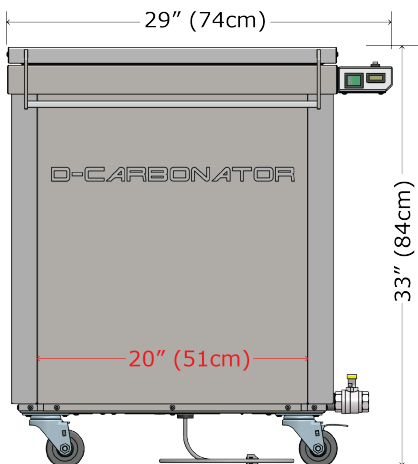
## DESCRIPTION

The **DECARBONATOR®** is an appliance, used in Commercial kitchens and Bakeries to remove Carbon build up and Grease from kitchen equipment, including metal and aluminum equipment.

This high quality appliance is constructed of stainless steel, is fully insulated and is the most efficient and cost effective method of removing Carbon and Grease.

## CHARACTERISTICS

- Friction Hinges
  - Allows steam to escape when opening
  - Slowly opens lid to allow steam to escape
  - Holds lid open to prevent crush injuries
- Fill Line
  - H2O - Embossed for easy identification
- Lid
  - Gasket Contains steam escape and reduces malodor
  - Trough Collects water condensation when opening lid
  - Flat surface for additional workspace
- Lid Handle
  - Full length for easy access
  - Dropped - Allows steam escape. Prevents wrist scalding
- Velcro Strap
  - Storage for Power cord when not in use
  - Storage for Drain Hose when not in use
- Casters
  - 2 Locking stainless steel casters to prevent movement
  - 2 Non locking stainless steel casters
- Power Switch (Green)
  - Rocker switch indicates Power on
- Heater Indicator (Amber or Blue)
  - Heater indicator illuminates when heater is on
- Monthly Timer (Green/Red)
  - Green light for monthly timing
  - Red Light indicates Monthly Refill due
- Reset Switch (Black)
  - Momentary on rocker switch for resetting monthly timer



8952 AleSmith Ct, Ste D • San Diego, CA 92126  
Tel: 858 356 5460 www.decarbonator.com