

# MODEL: 500GAL

# DECARBONATOR

## SPECIFICATIONS

<b>Voltage</b>	208/220V	<b>Amps</b>	28A
<b>Hz</b>	50Hz	<b>Phase</b>	Single
<b>Plug</b>	NEMA 6-50		
<b>Receptacle</b>	NEMA 6-50		
<b>Breaker</b>	50Amp		
<b>Wattage</b>	6750W		



**Operating Temperature** 185° F/ 85° C

## CAPACITY

<b>Volume</b>	500 Gallons/1890 Liter
<b>Sheet Pans</b>	364 Stacked Vertically
<b>Hood Filters</b>	120 Std - 20" x 20" x 1½"
<b>Baking rack</b>	Double baking rack

## DIMENSIONS

<b>Outside:</b>	L-88" x W-53" x H-46"
	L-224cm x W-135cm x H-117cm
<b>Inside:</b>	L-76" x W-42" x H-36"
	L-193cm x W-107cm x H-91cm

## ACCESSORIES

- Lifting Basket included
- Drain hose and adaptor for Monthly Refill

## PACKAGING

L-92" x W-54" x H-53"
L-233cm x W-137cm x H-134cm
Gross Weight: 1460lbs (664kg)
Net Weight: 1360lbs (618kg)

## HOIST

AGC500 can be added

## CarbonZyme®

4 x 50lb Boxes per Month

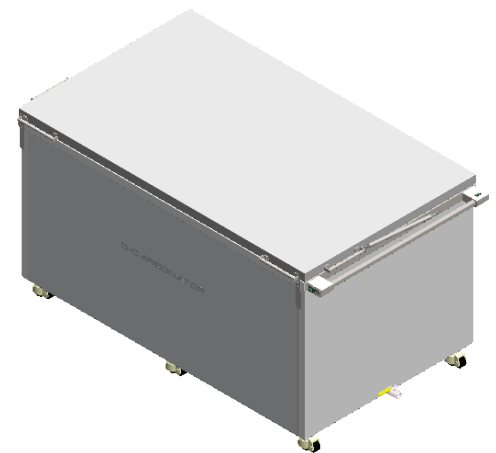
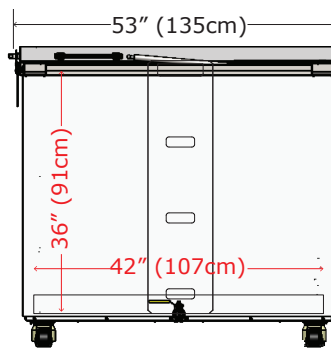
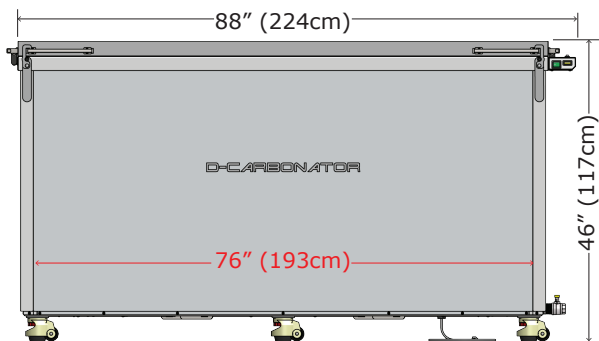
## DESCRIPTION

The **D-CARBONATOR®** is an appliance, used in Commercial kitchens and Bakeries to remove Carbon build up and Fats, Oils & Grease (FOG) from kitchen equipment, including metal and aluminum equipment.

This high quality appliance is constructed of stainless steel, is fully insulated and is the most efficient and cost effective method of removing Carbon and FOG.

## CHARACTERISTICS

- Friction Hinges
  - Allows steam to escape when opening
  - Slowly opens lid to allow steam to escape
  - Holds lid open to prevent crush injuries
- Fill Line
  - H2O - Embossed for easy identification
- Lid
  - Gasket Contains steam escape and reduces malodor
  - Trough Collects water condensation when opening lid
  - Flat surface for additional workspace
- Lid Handles
  - 2 Handles in front, 2 handles on sides
- Gas spring
  - 2 Provided
- Velcro Strap
  - Storage for Power cord when not in use
  - Storage for Drain Hose when not in use
- Casters
  - 6 Leveling casters to prevent movement
- Power Switch (Green)
  - Rocker switch indicates Power on
- Heater Indicator (Amber or Blue)
  - Heater indicator illuminates when heater is on
- Monthly Timer (Green/Red)
  - Green light for monthly timing
  - Red Light indicates Monthly Refill due
- Reset Switch (Black)
  - Momentary on rocker switch for resetting monthly timer



8340 Camino Santa Fe, Ste D • San Diego, CA 92121  
Tel: 844-D-CARBON www.chemxworks.com