


MODEL: 40GAL

SPECIFICATIONS

Voltage	110V	Amps	12A
Hz	60Hz	Phase	Single
Plug	NEMA 5-15 		
Receptacle	NEMA 5-15 or NEMA 5-20		
Breaker	20Amp		
Wattage	1500W		

Operating Temperature 185° F/ 85° C

CAPACITY

Volume	40 Gallons/150 Liter
Sheet Pans	26 Stacked Horizontally
Hood Filters	7 Std - 20" x 20" x 1½"

DIMENSIONS

Outside:	L-36" x W-20" x H-33"
	L-91cm x W-51cm x H-84cm
Inside:	L-26" x W-13" x H-25"
	L-66cm x W-32cm x H-64cm

ACCESSORIES

- Lifting Basket included
- Drain hose and adaptor for Monthly Refill

PACKAGING

L-42" x W-23" x H-39"
L-106cm x W-58cm x H-99cm
Gross Weight: 195lbs (88kg)
Net Weight: 164lbs (74kg)

FEATURES

Fits under counter

CarbonZyme®

1 x 15lb Box per Month

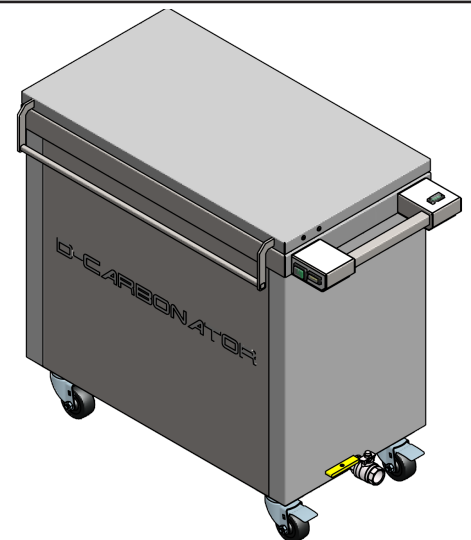
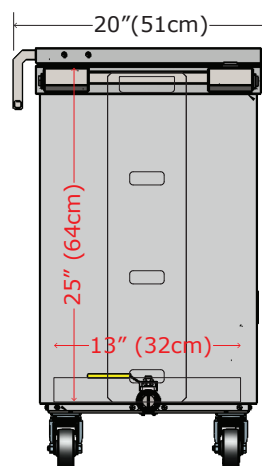
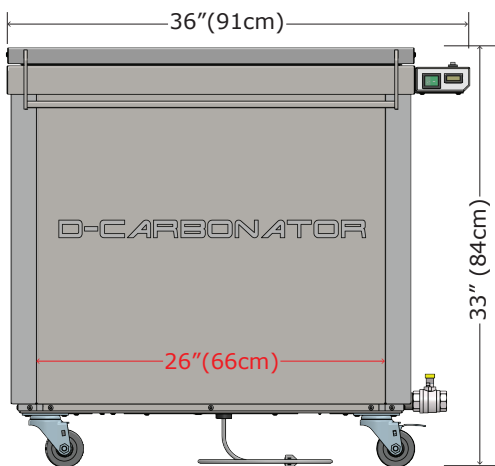
DECARBONATOR

DESCRIPTION

The **DECARBONATOR** is an appliance, used in Commercial kitchens and Bakeries to remove Carbon build up and Fats, Oils & Grease (FOG) from kitchen equipment, including metal and aluminum equipment. This high quality appliance is constructed of stainless steel, is fully insulated and is the most efficient and cost effective method of removing Carbon and FOG.

CHARACTERISTICS

- Friction Hinges
 - Allows steam to escape when opening
 - Slowly opens lid to allow steam to escape
 - Holds lid open to prevent crush injuries
- Fill Line
 - H2O - Embossed for easy identification
- Lid
 - Gasket Contains steam escape and reduces malodor
 - Trough Collects water condensation when opening lid
 - Flat surface for additional workspace
- Lid Handle
 - Full length for easy access
 - Dropped - Allows steam escape. Prevents wrist scalding
- Velcro Strap
 - Storage for Power cord when not in use
 - Storage for Drain Hose when not in use
- Casters
 - 2 Locking stainless steel casters to prevent movement
 - 2 Non locking stainless steel casters
- Power Switch (Green)
 - Rocker switch indicates Power on
- Heater Indicator (Amber or Blue)
 - Heater indicator illuminates when heater is on
- Monthly Timer (Green/Red)
 - Green light for monthly timing
 - Red Light indicates Monthly Refill due
- Reset Switch (Black)
 - Momentary on rocker switch for resetting monthly timer



8340 Camino Santa Fe, Ste D • San Diego, CA 92121
Tel: 844-D-CARBON www.chemxworks.com